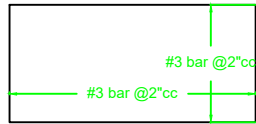
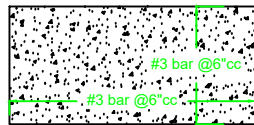


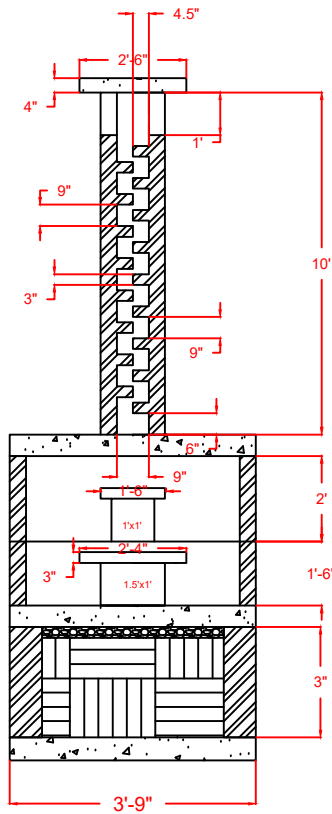
### BURNING UNIT



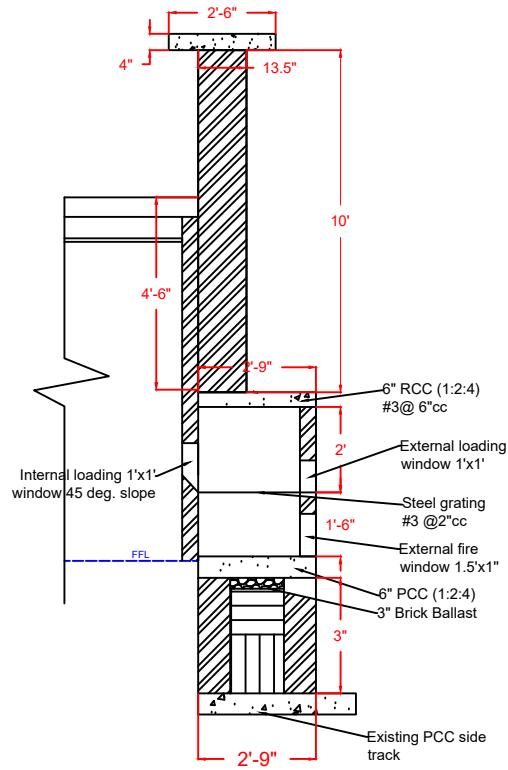
Steel grating details



RCC slab details



CROSS SECTION - 2



CROSS SECTION - 1

- 6" RCC (1:2:4)  
#3 @ 6"cc
- External loading window 1'x1'
- Steel grating #3 @2"cc
- External fire window 1.5'x1"
- 6" PCC (1:2:4)
- 3" Brick Ballast
- Existing PCC side track

NOTES:

PREPARED BY: CHIP

GOVT. ELEMENTRY SCHOOL ALI SHAH  
JATOI

DRAWING NO. 5