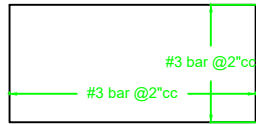
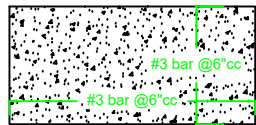


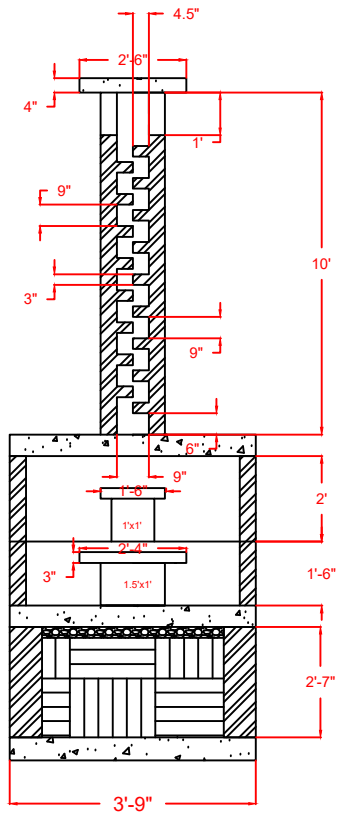
BURNING UNIT



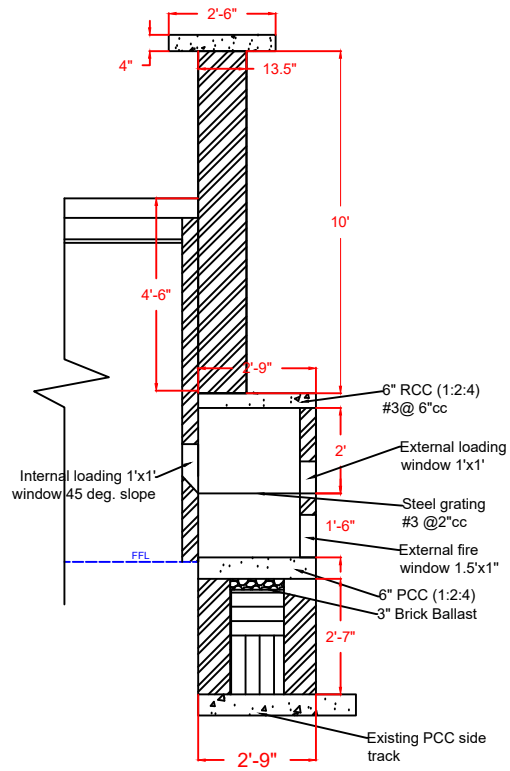
Steel grating details



RCC slab details



CROSS SECTION - 2



CROSS SECTION - 1

NOTES:

PREPARED BY: CHIP

GOVT. ELEMENTRY SCHOOL ARIFWALA
JATOI

DRAWING NO. 5